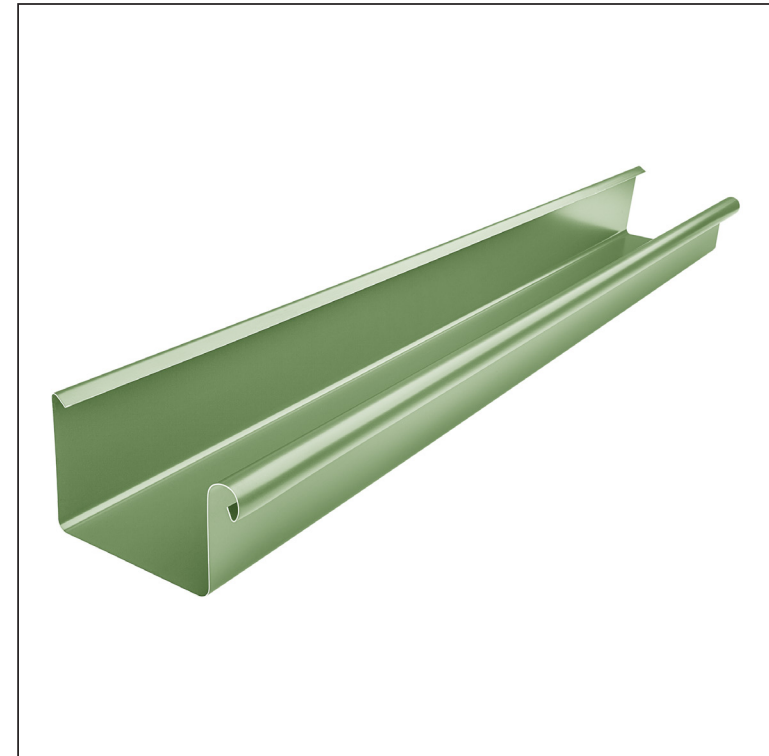


KARTA TECHNICZNA

# RYNNA KWADRATOWA [s=0,55]

# PH-PZH



**TZ** Ocynkowana stal powlekana – Trawa zielona – RAL 6011

| Wymiary [mm]      |      |     |     |   |    |   |        |
|-------------------|------|-----|-----|---|----|---|--------|
| Rozmiar nominalny | S    | A   | B   | C | ØD | E | F min. |
| 200               | 0,55 | 42  | 70  | 5 | 16 | 5 | 8      |
| 250               | 0,55 | 55  | 85  | 7 | 18 | 5 | 10     |
| 333               | 0,55 | 75  | 120 | 7 | 20 | 6 | 11     |
| 400               | 0,55 | 90  | 150 | 9 | 22 | 6 | 11     |
| 500               | 0,55 | 110 | 200 | 9 | 22 | 6 | 11     |

|                       |                           |      |        |                        |                        |         |
|-----------------------|---------------------------|------|--------|------------------------|------------------------|---------|
| INDEKS                | ZMIANA                    | DATA | PODPIS | <b>KJG</b><br>QUALITY® | Scan code for 3D model |         |
| ZN. MAT.              |                           |      |        |                        |                        |         |
| WYM. PÓLT.            |                           |      |        |                        |                        |         |
| POM. URZ.             |                           |      |        | Norma STN              | NR KL.                 |         |
| SPORZ. Ing. Kluska M. |                           |      |        | ZMIAN.                 | NR POL.                |         |
| SPRAW.                |                           |      |        |                        |                        |         |
| TECHNOL.              | TECHNOL.                  |      |        | STARY RYS.             | NR RYS.                |         |
| NAZWA                 | Rynna kwadratowa [s=0,55] |      |        | Liczba arkuszy         | PH-PZH                 | Arkusze |

Utworzone: 20.04.2026 16:42:30

Zmiany techniczne zastrzeżone